

# PLFUVC4280BT

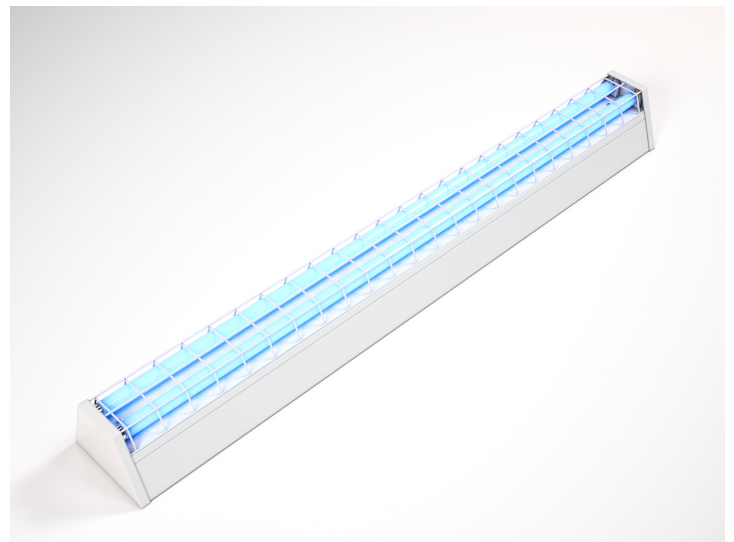
## High-performance 4ft UVC Light Disinfection Linear Fixture

### Description

Surface, wall, and suspended mounted to provide customizable UVC disinfection of contact surfaces and airborne pathogens. Our unique UVC spectrum lights are a germicidal, anti-viral, and sporicidal solution that will be effective against any future mutations and superbugs.

Designed for offices, schools, commercial spaces, and retail applications.

*Pure UVC guarantees this item is rigorously-engineered to guarantee safety & efficacy and is built from the highest quality components with the following credentials: FCC, UL Recognized Component, CE, EPA Registered Establishment.*



### Features

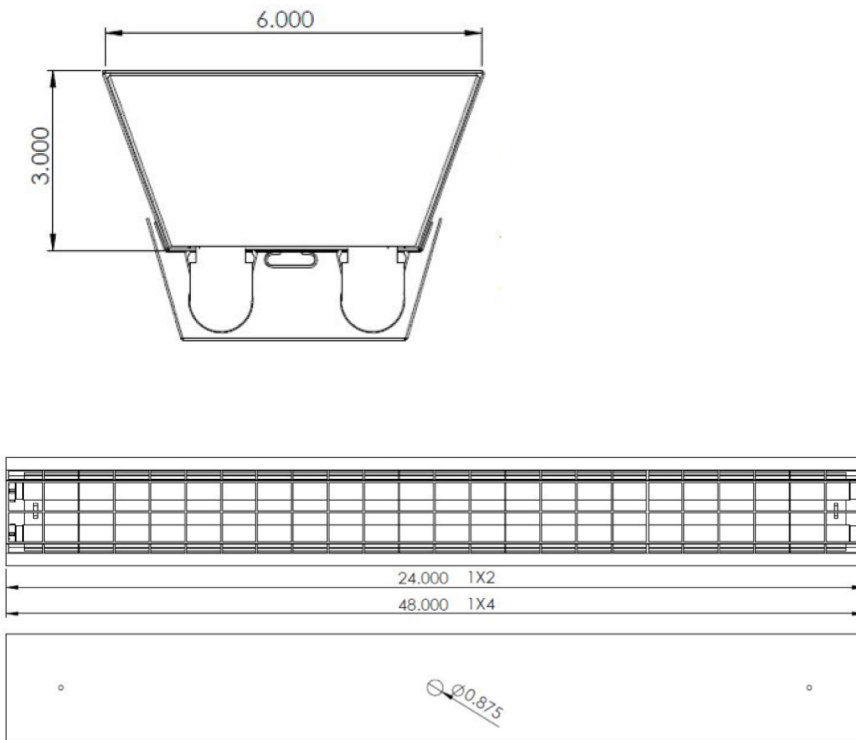
- (2) 47" 40W 254nm Customized Quartz glass germicidal UVC lamps with G13 sockets
- (1) UL-listed, 2-Lamp UVC High Performance Ballast
- 80W, 110V-277V; 60Hz Electrical Operation
- (1) CE-listed Frictionless Fan Disperses UVC for a 30% Increase in Efficiency
- (1) UL-listed and FCC compliant Bluetooth UF Specialty Occupancy Sensor with automatic shut-off
- IOS/Android App-enabled features include: Astronomical clock, Scheduling, Timer and Power-loss safety features.

### Construction

- Robust linear steel fixture with protective wire guard
- 86% galvanized aluminum reflector to maximize reflectance and performance
- Audible alarm/notifier will activate during operation
- Pre-wired with 18awg and with (1) UL-listed luminaire disconnect
- Access plate and knockouts provided for easy power connections
- Equipped with (2) V-Hooks for suspended mounting
- Optional - Surface Mount and cord-and-plug accessories

Warranty	5 Year Warranty
Lamp Lifespan	8,000 hrs or 9yrs per recommended settings
Listings	EPA Registered Facility, CE Listed (UL-listed ballasts, UL and FCC listed sensors.)

**Dimensions:**



**WARNING:**

- ⚠ UV lamp emissions may pose a safety and health hazard, particularly to the eyes and skin. The system is NOT to be used in the presence of individuals without appropriate precautions, including the use of personal protective equipment for skin and eyes. Operator should use PPE including UVC Rated safety glasses, gloves, and should cover all exposed skin. Operator should never direct the UVC light toward him/herself or any other person. Use warning signs to prohibit individuals from entering the treatment area while the UVC light is activated. This product must be installed in accordance with the manufacturer’s site planning recommendations, including location, dosage, and duration.
- ⚠ Lamps contain mercury. If a lamp breaks, ventilate the room for 30 minutes and remove the parts, preferably with gloves. Put them in a sealed plastic bag and take it to your local waste facilities for recycling. Do not use a vacuum cleaner.
- ⚠ PROP65 WARNING: This product can expose you to chemicals including Di-isodecyl Phthalate, which is known to the State of California to cause cancer and birth defects or other reproductive harm. For more information, go to [www.P65Warnings.ca.gov](http://www.P65Warnings.ca.gov).

**DISCLAIMER:**

Device must be commissioned and tested by a certified Intelli-Safe™ commissioner prior to use. Device must remain disconnected from power until commissioning. For more information on authorized Intelli-Safe™ commissioners or to become certified, please contact Pure Lighting Company.

Pure Lighting Company disclaims any and all liability for harm caused by improper or negligent use of the system. All information is believed to be accurate at the time of publication. Pure Lighting Company reserves the right to change specifications without notice.